

Full HD HD-SDI Camera KP-HD2005R-S5



Full HD

CMOS

.009 lux

NIR Sensor

KP-HD2005R-S5

- Full HD 2.38 mega-pixel 1/1.9" high sensitivity CMOS image sensor.
- Standard C-mount lens permits use of a wide range of long zoom lenses.
- CMOS sensor produces HD pictures at 30/25 fps, progressive scan output.
- Ultra low-light capability at 0.009 lux (color, F1.2, AGC 75dB, gamma high, SEN UP:OFF)
- More than 60dB S/N (HD-SDI & VBS outputs, AGC 0dB, detail -128, Gama OFF)
- Ultra-high sensitivity NIR Sensor Technology.
- Camera offers focus output function. When used with Hitachi's IF-PCB interface, it dramatically improves zoom lens Auto Focus speed & accuracy.
- Single cable connectivity for power, video and control via remote connector.



Larger Field of View

7 X greater FOV than VGA/SD.



Long Range, Low-Light Capability

1000mm zoom lens. 1/2 mile distance, low light



Real Time Heat Haze Correction



Heat & Haze correction, FULL HD (with Hitachi's VG-2000PCB).

Adaptive Fog Reduction (AFR)

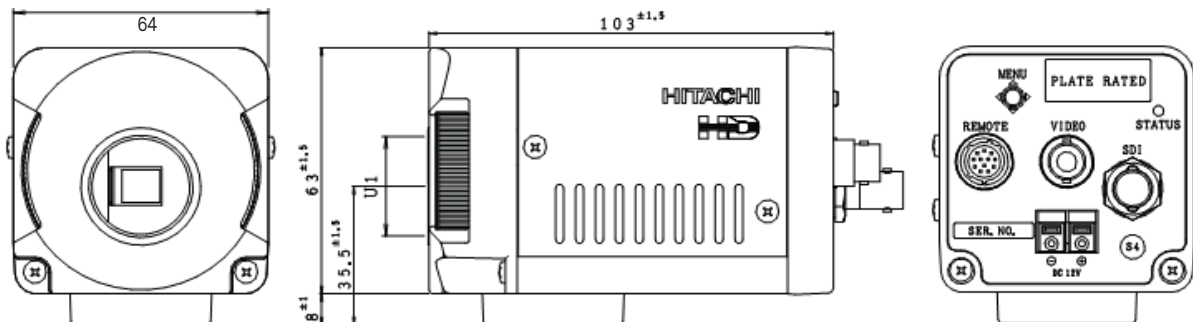


Adaptive Fog Reduction allows camera to see through fog, dust & smoke in real time simultaneously for both HD & SD.

■ Main Specifications

KP-HD2005R-S5	
Imaging Device	1/1.9 CMOS (RGB Bayer color)
Total pixels	1952(H) X 1241(V) 2.4M pixels
Effective pixels	1937(H) X 1097(V) 2.38M pixels
Imaging System	Progressive 30 fps / 25 fps (P-type)
Sync system	Internal
Video output	HD-SDI (SMPTE292M) & Analog VBS (selectable PAL or NTSC)
Video format	HD-SDI: 1080/59.94i, 1080/29.97P, 1080/50i, 1080/25P
Minimum illumination	Color : 0.009 lux (F1.2 AGC:75dB, Gamma: High, SEN UP OFF) B&W : 0.0005 lux (F1.2 AGC:75dB, Gamma: High, SEN UP OFF) *3200K Tungsten lamp used for testing
S/N ratio	More than 60dB
Resolution	Horizontal resolution more than 800 lines TV lines
OPERATIONAL	
AGC	OFF / Auto (Max Gain 75dB, fog OFF, Max Gain 42dB, fog ON)
Electronic shutter	OFF / AES / Manual (1/30 to 1/100000 sec)
Electronic sensitivity (SEN UP)	OFF / Auto (Max 60 times) / Manual (2 to 30 times)
Fog Reduction	OFF / ON / Auto (1 to 128 levels)
Day & Night (W/B switching)	COLOR / B&W / Auto (ICR)
BLC	OFF / ON (photometry area with ROI capability)
White Balance	Auto : ATW Manual : Manual (2500K – 8000K)

■ External dimensions



CAUTION : To ensure safe operation, please read the instruction manual before using this product.

These Specifications are subject to change without notice.

Hitachi Kokusai Electric Inc.

32, Miyuki-cho, kodaira-shi, Tokyo 187-8511, Japan
 Phone : +81-50-3383-3432, Fax : +81-452-322-3270
 URL : <http://www.hitachi-kokusai.co.jp/g/obal/index.html>

Hitachi Kokusai Electric Asia (Singapore) Pte, Ltd.
 URL : <http://www.hitachi-kokusai.com.sg/>
 7 Tampines Grande, #02-04 Hitachi Square, Singapore 528736
 Phone : +65-(0) 6212-1945, Fax : +65-(0) 6231-2429

Hitachi Kokusai Electric America, Ltd. <http://www.hitachikokusai.com/>
HQ & Northeast Office 150 Crossways Park Drive, Woodbury, New York 11797
 Tel : +1 (516) 921-7200, Fax : +1 (516) 496-3718

West Office 11258 Monarch Street Suite H Garden Grove, CA 92841
 Tel : +1 (714) 895-6116, Fax : +1 (714) 895-6252

Midwest Sales Tel : +1 (330) 334-4115

South Sales Tel : +1 (850) 934-1234

Latin/Canada Sales Tel : +1 (516) 682-4408

Hitachi Kokusai Electric Europe GmbH URL : <http://www.hitachi-keu.com/>
Frankfurt Head Office Siemensstr. 9, D-63263 Neu-Isenburg, Germany

Tel : +49(0) 6102-8332-0 Fax : +49(0) 6102-202616

London Office Windsor House, Queensgate, Britannia Road, Waltham Cross, Hertfordshire, EN8 7NX, United Kingdom
 Tel : +44(0)845-1212177 Fax : +44(0)845-1212180

Hitachi Kokusai Linear Equipamentos Eletrônicos S/A <http://www.hitachi-linear.com.br/>
Head Office

Rodovia BR 459, No121-A, Km 121 - Bairro Corrego Raso,

Santa Rita do Sapucaí, 37540-000, MG - Brazil

Tel : +55(35)3473-3473 Fax : +55(35)3473-3474

Sales Office Alameda Santos, 745 - 9 Andar - Conj. 91B, Cerqueira Cesar, São Paulo, 01419-001, SP - Brazil
 Tel : +55(11)3541-3244 Fax : +55(11)3541-2425

Hitachi Kokusai Electric Turkey Elektronik Ürünleri Sanayi ve Ticaret A.Ş.

Hitachi Kokusai Electric Turkey Yayıncılık Sistemleri A.Ş. <http://www.hitachi-kokusai.com.tr/>

Istanbul Endüstri ve Ticaret Serbest Bölgesi Akif Kopuz Cad. No.3,

34957 Tuzla İstanbul, Turkey

Tel : +90-216-394-8484 Fax : +90-216-394-8482