



EAGLE® PTE-350 PAN TILT HEAD



Eagle PTE-350 Pan Tilt head shown with optional PT-EE-L housing

The EAGLE® PTE-350 pan-tilt head is a heavy-duty, easy to use unit. It is designed for use in many areas, some of which are remote traffic monitoring, remote news gathering for television broadcast, and entertainment venues.

The PTE-350's large size allows for the usage of the accessory camera housings, for the utmost in camera protection from outdoor elements. Heater, blower, and washer and wiper are among the available options, all remote controllable.

The head has excellent motion characteristics, with a range of motion of 355° in pan and 180° in tilt. The unit has three overall speed ranges

Highly water and wind resistant construction for maximum equipment protection

Remote control via direct wire, optional modem or fiber optic link using RS-485 protocol

Anti-backlash worm gear driven for smooth, accurate, repeatable performance

Uses DC servomotors controlled by pulse width modulation for excellent low speed torque

Vector solving operation in manual or preset modes

64 presets per head, stored internally in non-volatile memory

Will handle camera, lens, and housing combinations weighing up to 50 lbs.

Built in 12VDC 5A camera power supply

Optional PT-CCB camera control module for integrated remote camera control of selected Hitachi cameras using Eagle® system controllers, PC software, or AMX and Crestron control systems

Control software available for Windows XP or Vista™ compatible PC's

Use of EPROM's for control allows easy future software upgrades

Watertight multipin connector in base allows for easy connection of power and control lines

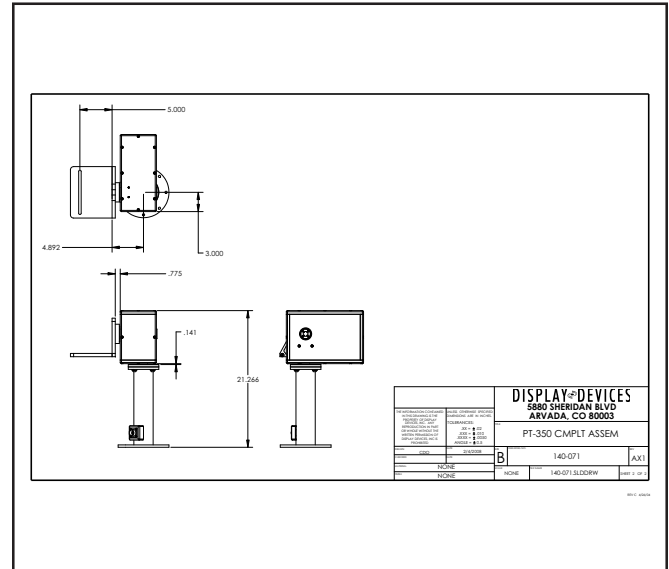
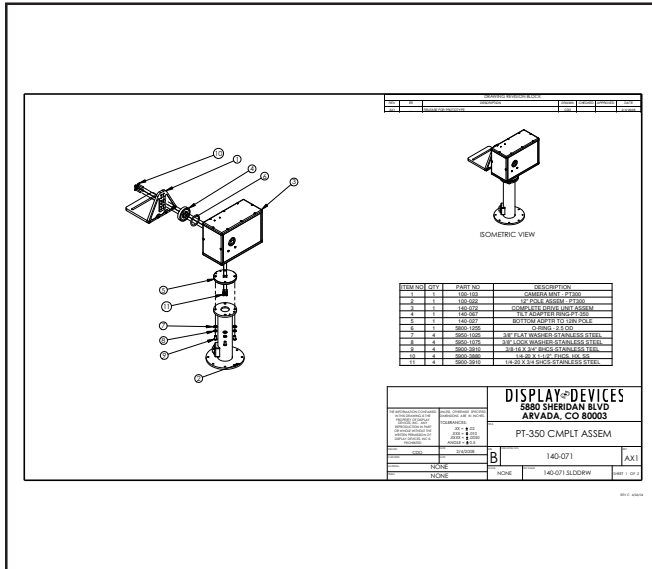
Pre-tested camera control/power harness, lens control harness included with each head

All needed connectors for power and control are included

variable from 0° to 60° per second in both pan and tilt. Backlash is adjustable to compensate for wear. Speed is completely variable from zero to full based on proportional digital joystick input from the optional PT-C, PT-C55 or PT-TSC2 controllers .

Up to 64 different preset combinations of position and lens settings can be memorized by the head. All are stored in non-volatile memory inside each head, and can easily be recalled at any time.

The Eagle® PTE-350 is for camera / lens combinations of up to 50 pounds (23 kg).



SPECIFICATIONS

Weight: about 27 pounds (12.7 kg)

Maximum load: 50 pounds (23 kg); including housing and accessories

Pan range: ± 178 degrees; Tilt range: ± 90 degrees

Watertight to NEMA 4x / IP66 standards

Pan and tilt speed: 0 to 60° per second, infinitely variable. Note that max speed must be reduced with large, heavy loads.

Accuracy of preset position recall: better than ± 5 arc minutes (.083 degrees)

Max. number of preset positions: 64

Requires 24VDC power, minimum 1A: max draw with camera: 3.5A; provides camera power of up to 12 VDC @ 5A

Anti-backlash bronze worm gear drive with high-torque DC servomotor control

Uses RS-485 communications protocol; optional RS-232 or fiber optic link adapters available



Distributed by Hitachi Denshi America Ltd.
150 Crossways Park Dr. Woodbury NY 11797
Call (516)921-7200 for a dealer near you

OPTIONAL ACCESSORIES

PT-TSC2 desktop touch screen pan-tilt, lens, and camera controller

PT-C55 desktop pan tilt, lens, camera controller

PT-C desktop joystick pan tilt and lens controller

PT-CC desktop camera controller

PT-CCB camera control module (internal option in head)

PT-PS-3E watertight 6.5A output power supply

PT-OB-1 mounting kit (specify wall, pole, or parapet version when ordering)

PT-RSA RS232 to RS485 adapter; for controlling Eagle system via PC

PT-AAM Auto answer modem, includes one PT-RSA

PT-MP-1 control multiplexer; allows multiple controllers on single RS-485 backbone

PT-CSI contact closure interface

PT-MFA multi function adapter interface

Specifications and design subject to change without notice

Eagle™ products are designed and manufactured in the USA by Display Devices Inc., Arvada CO 80003

Preliminary specs—March 2008

www.eaglepan tilt.com